

FEB 1, 2013

BULLETIN

FECT-12A

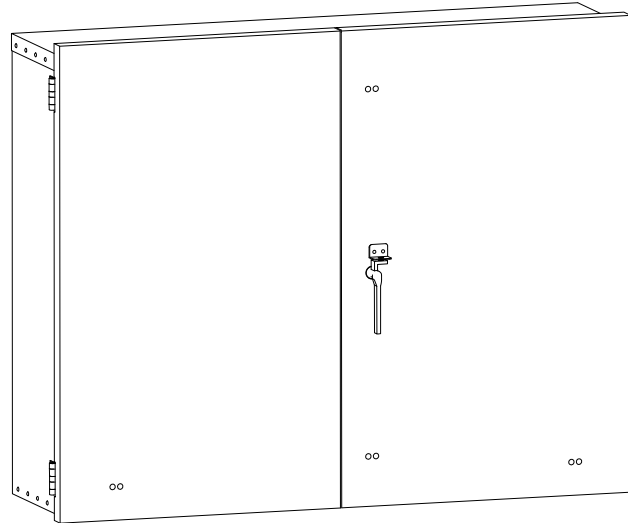


www.ericksonelectric.com

FIRST
ENERGY

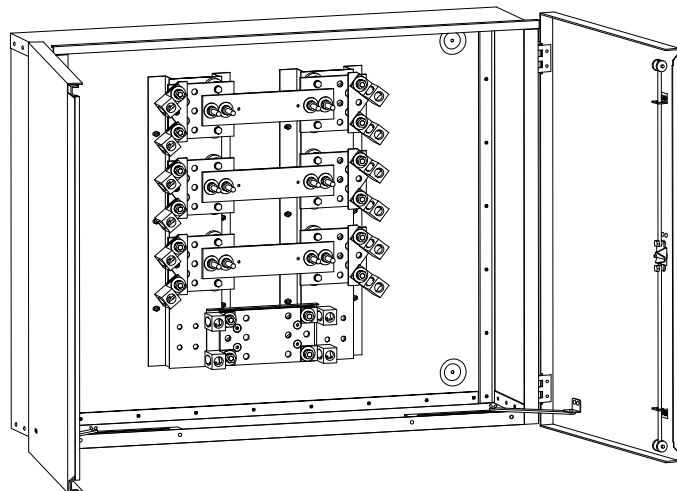
APPROVED
600 AMP. TO 800 AMP.

METERING
TRANSFORMER
CABINETS



FILE NO. E62784

600 VOLT MAXIMUM
TYPE 3R ENCLOSURE
FOR
INDOOR OR
OUTDOOR USE

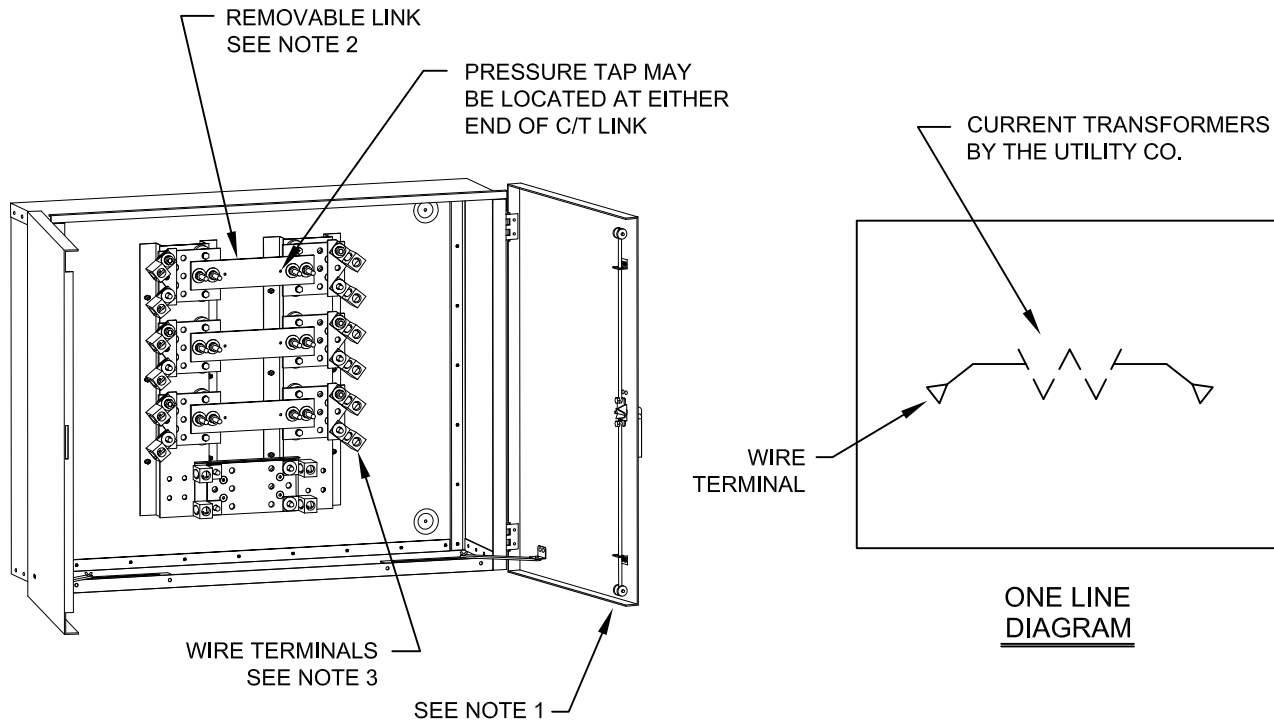


ERICKSON ELECTRICAL EQUIPMENT CO.
475 BONNIE LANE • ELK GROVE VILLAGE, IL 60007
TELEPHONE: (847) 640-7701 / 1-800-952-7225
FAX: (847) 640-0565

600 VOLT MAX CATALOG NUMBERS

AMPACITY	1Ø 3W *	3Ø 3W *	3Ø 4W	WIRES PER PHASE	UNPROTECTED FAULT CURRENT RATING	ENCLOSURE SIZE			SHIPPING WEIGHTS
						WIDTH	HEIGHT	DEPTH	
600/800	CT-81-FECD	CT-83-FECD	CT-84-FECD	2 - 800 - 300 MCM	85,000 Amp	46"	36"	12"	180 LBS.

* CHECK WITH UTILITY FOR SUITABILITY OF USE



NOTES -

1. ENCLOSURES ARE ALUMINUM TYPE 3R FOR INDOOR OR OUTDOOR USE. THEY ARE PROVIDED WITH SPLIT DOOR WITH PADLOCKABLE HANDLE WITH THREE-POINT CATCH PER FIRST ENERGY REQUIREMENTS.
2. CURRENT TRANSFORMER CABINETS ARE EQUIPPED WITH REMOVABLE COPPER BUS SECTIONS WITH MOUNTING SUPPORTS TO ACCOMODATE WINDOW TYPE CURRENT TRANSFORMERS PER FIRST ENERGY REQUIREMENTS.
3. THE PHASE PADS ARE EQUIPPED WITH AN ANTI-TURN DEVICE THAT ALLOWS THE WIRE TERMINALS TO BE ANGLED TOWARD THE TOP OR BOTTOM OF THE ENCLOSURE OR IN LINE WITH THE PHASE PAD.

REPRESENTED IN
OHIO & PENNSYLVANIA
BY

ROSATI SALES

815 E. TALLMADGE AVE • AKRON, OH 44310
TELEPHONE: (330) 630-2677 FAX: (330) 633-3645

ERICKSON ELECTRICAL EQUIPMENT CO.

475 BONNIE LANE • ELK GROVE VILLAGE, IL 60007
TELEPHONE: (847) 640-7701 / 1-800-952-7225
FAX: (847) 640-0565