



FEBRUARY 1, 2011

BULLETIN

FEC-PMCT-11B

www.ericksonelectric.com

FIRST ENERGY

APPROVED
600 AMP. TO 2000 AMP.

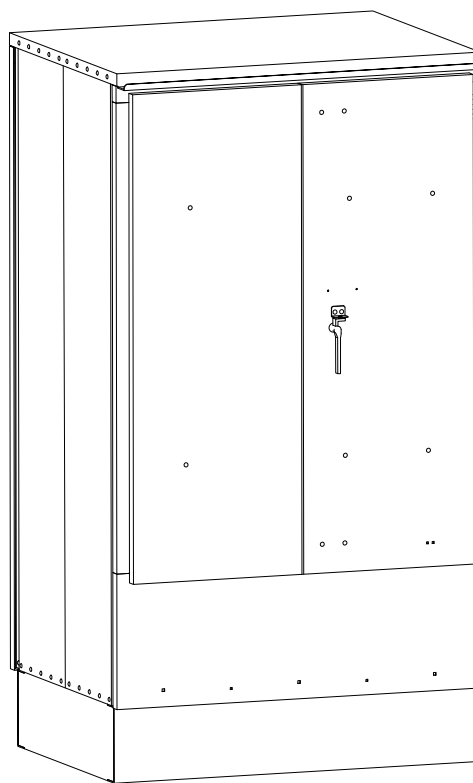
PAD MOUNTED METERING TRANSFORMER CABINETS



FILE NO. E62784

600 VOLT MAXIMUM

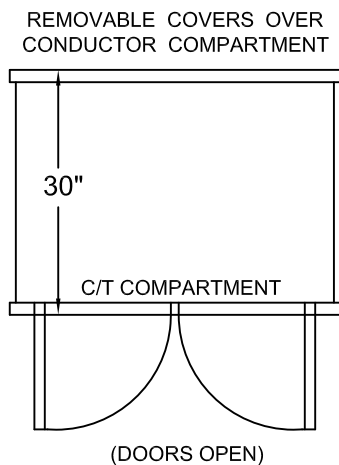
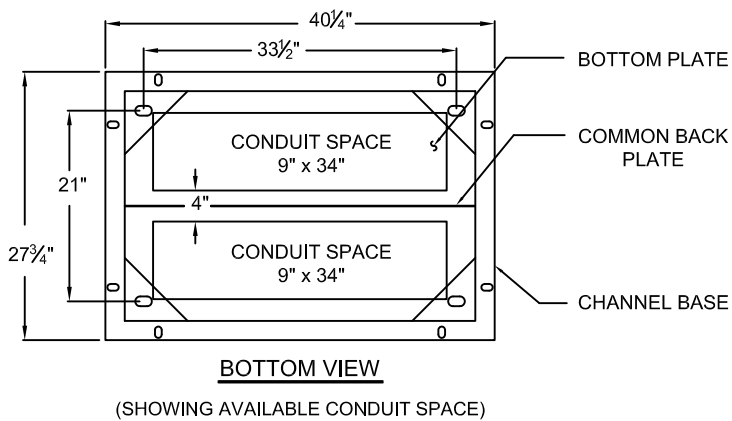
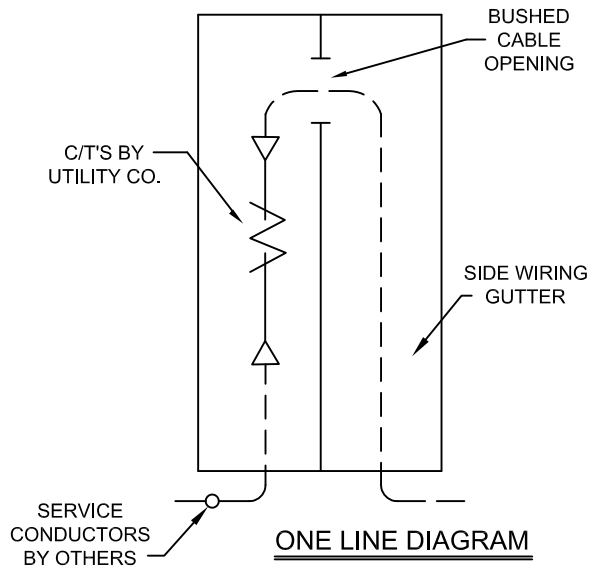
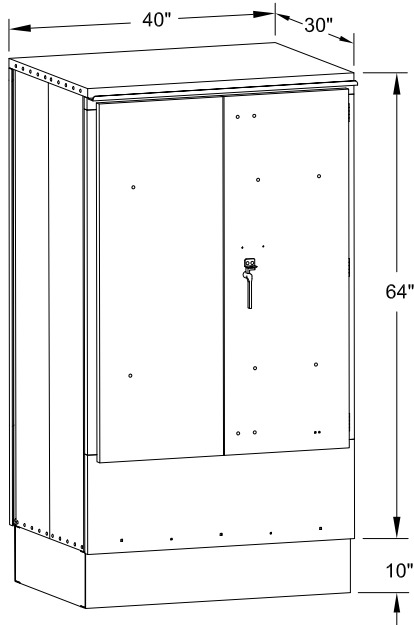
TYPE 3R ENCLOSURE
FOR OUTDOOR USE



ERICKSON ELECTRICAL EQUIPMENT CO.
475 BONNIE LANE • ELK GROVE VILLAGE, IL 60007
TELEPHONE: (847) 640-7701 / 1-800-952-7225
FAX: (847) 640-0565

CATALOG NUMBERS

AMPACITY	3Ø 3W	3Ø 4W	LUGS PER PHASE 300-800 KCM		UNPROTECTED FAULT CURRENT RATING	ENCLOSURE SIZE			SHIPPING WEIGHTS
			LINE	LOAD		WIDTH	HEIGHT	DEPTH	
600/800	PMCT83-FECD	PMCT84-FECD	2	2	85,000 Amp	40"	64"	30"	425 LBS.
1200	PMCT123-FECD	PMCT124-FECD	3	3	85,000 Amp	40"	64"	30"	450 LBS.
1600	PMCT163-FECD	PMCT164-FECD	4	4	85,000 Amp	40"	64"	30"	470 LBS.
2000	PMCT203-FECD	PMCT204-FECD	5	5	85,000 Amp	40"	64"	30"	480 LBS.



REPRESENTED IN
OHIO & PENNSYLVANIA
BY

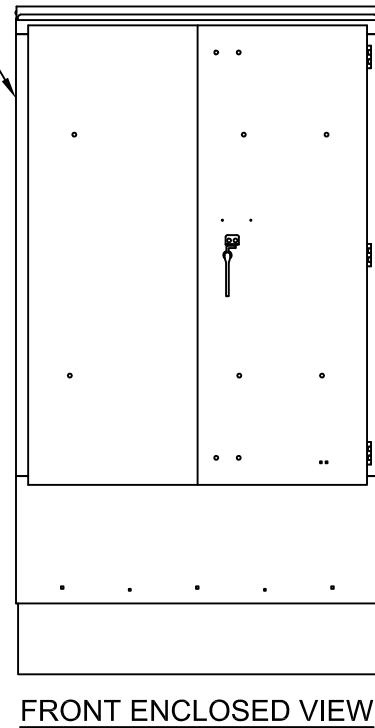
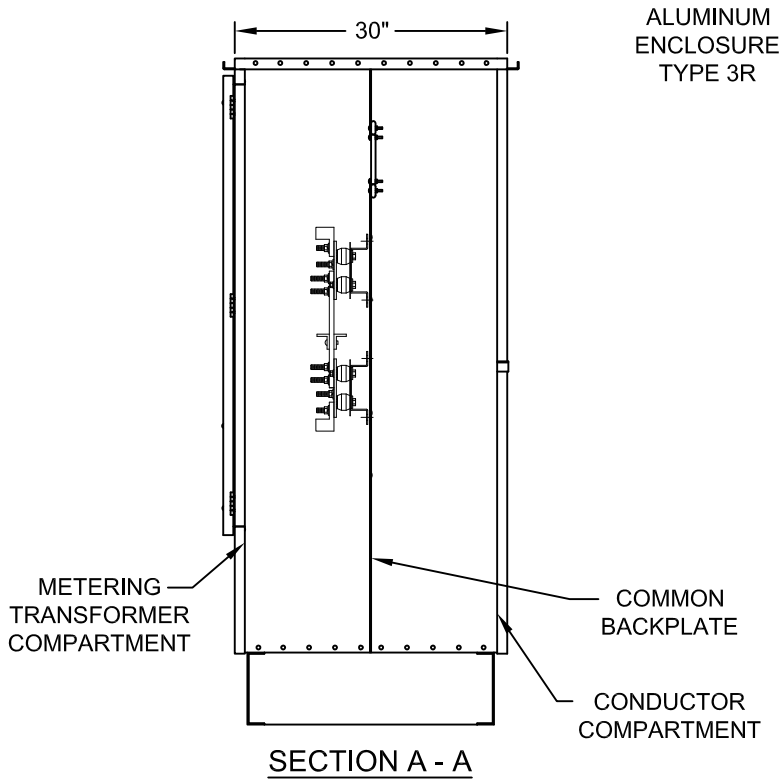
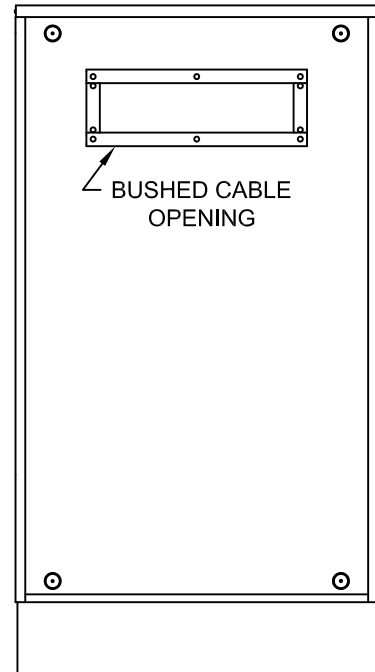
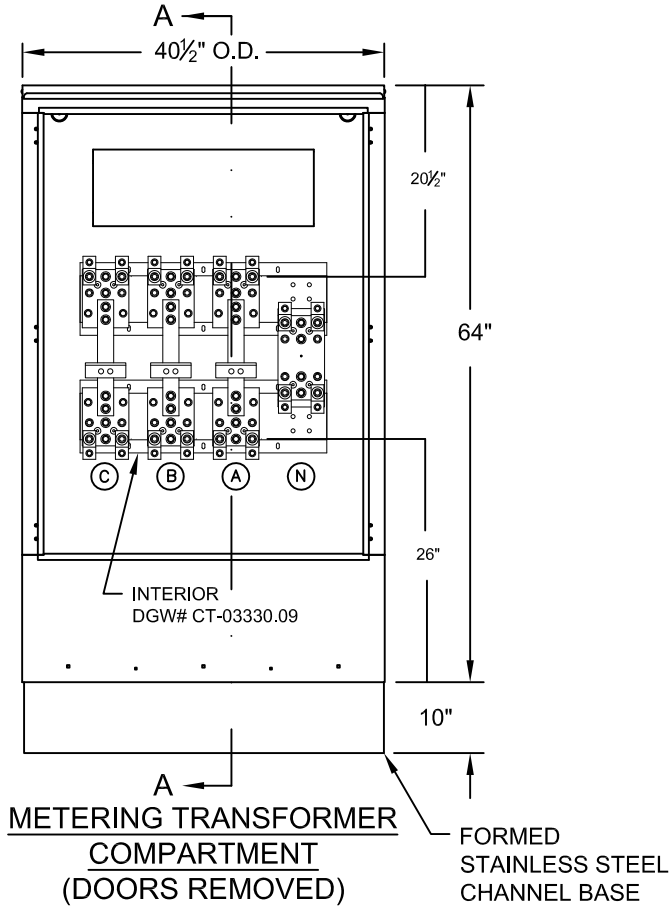
ROSATI SALES

815 E. TALLMADGE AVE • AKRON, OH 44310
TELEPHONE: (330) 630-2677 FAX: (330) 633-3645

ERICKSON ELECTRICAL EQUIPMENT CO.

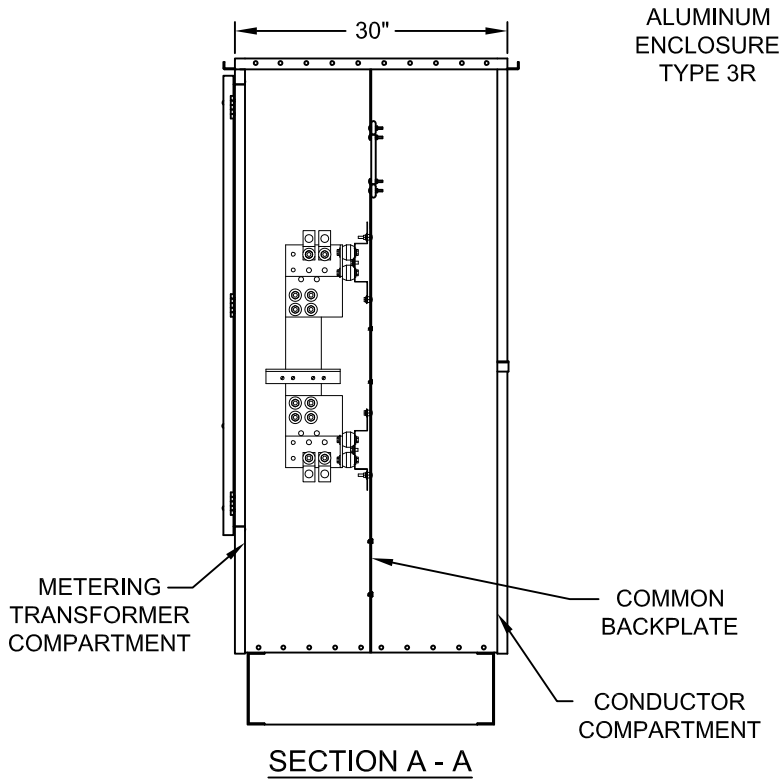
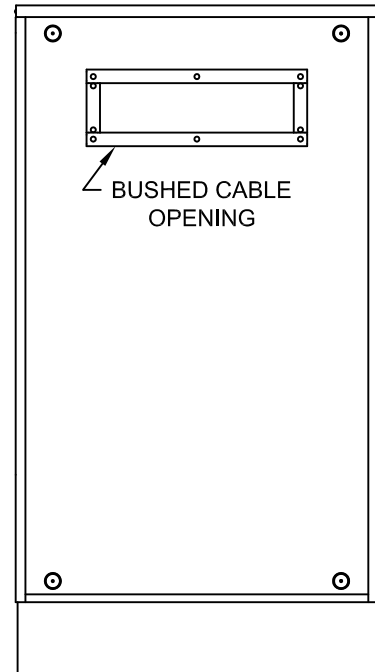
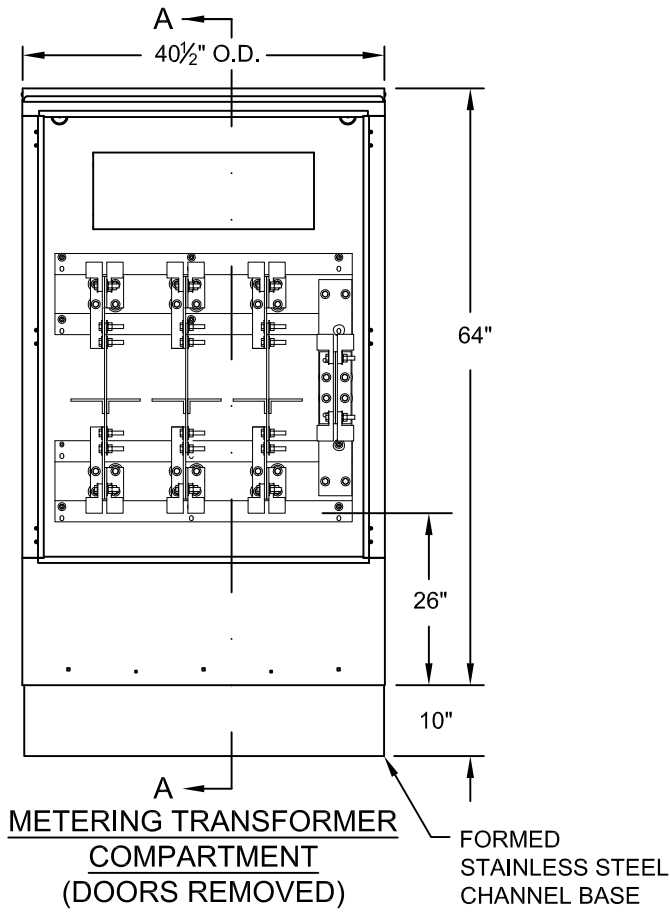
475 BONNIE LANE • ELK GROVE VILLAGE, IL 60007
TELEPHONE: (847) 640-7701 / 1-800-952-7225
FAX: (847) 640-0565

600-800A

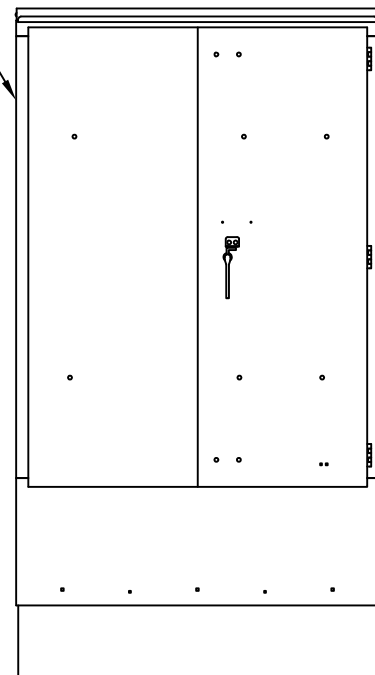


ERICKSON ELECTRICAL EQUIPMENT CO.
 475 BONNIE LANE • ELK GROVE VILLAGE, IL 60007
 TELEPHONE: (847) 640-7701 / 1-800-952-7225
 FAX: (847) 640-0565

1200-2000A



ALUMINUM ENCLOSURE TYPE 3R



ERICKSON ELECTRICAL EQUIPMENT CO.
475 BONNIE LANE • ELK GROVE VILLAGE, IL 60007
TELEPHONE: (847) 640-7701 / 1-800-952-7225
FAX: (847) 640-0565