

MAY 1, 2010

BULLETIN

FECPMCTCC-10

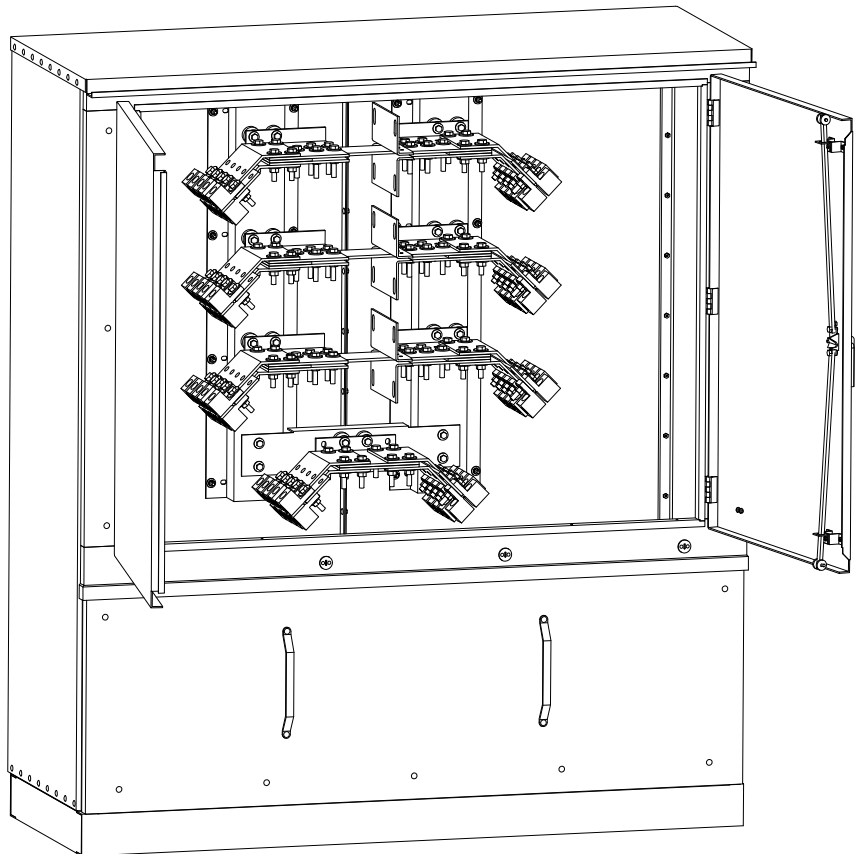


www.ericksonelectric.com

FIRST ENERGY

2000 AMP TO 4000 AMP

PAD MOUNTED
METERING
TRANSFORMER
CABINET/
CONNECTION
CABINET



FILE NO. E62784

600 VOLT MAXIMUM

TYPE 3R ENCLOSURE

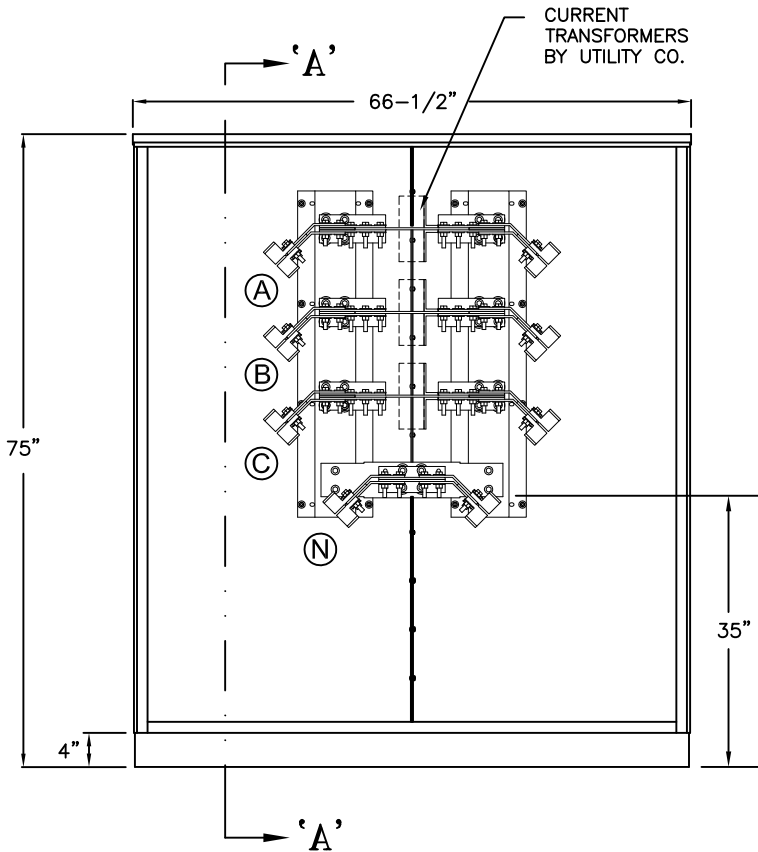
ERICKSON ELECTRICAL EQUIPMENT CO.
475 BONNIE LANE • ELK GROVE VILLAGE, IL 60007
TELEPHONE: (847) 640-7701 / 1-800-952-7225
FAX: (847) 640-0565

PAD MOUNTED METERING TRANSFORMER/CONNECTION CABINET

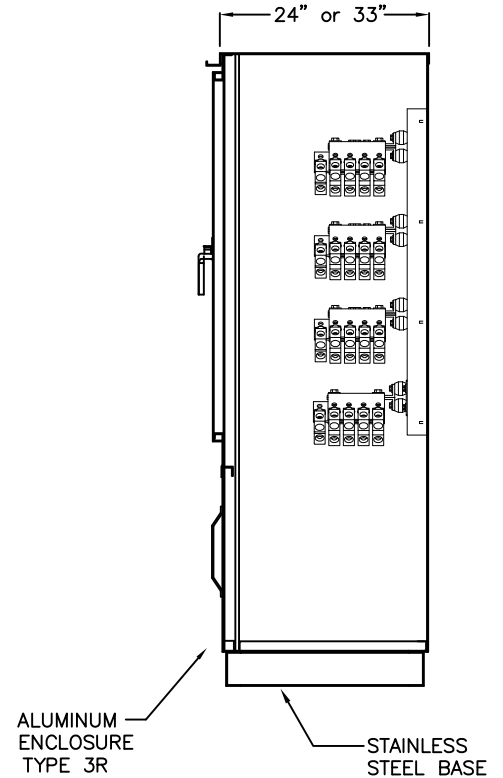
FIRST ENERGY

600V MAX CATALOG NUMBERS

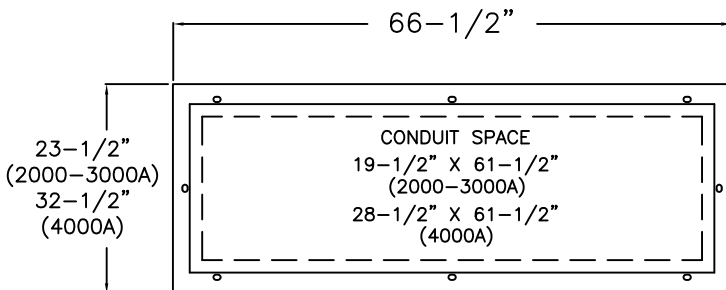
AMPACITY	3Ø 4W	LUGS PER PHASE		UNPROTECTED FAULT CURRENT RATING	ENCLOSURE SIZE		
		300-800 LINE	KCML LOAD		WIDTH	HEIGHT	DEPTH
2000	PMCTCC4610N-FECD	5	5	85,000A	67	75	24
2500	PMCTCC4611N-FECD	7	7	85,000A	67	75	24
3000	PMCTCC4612N-FECD	8	8	85,000A	67	75	24
4000	PMCTCC4613N-FECD	10	10	85,000A	67	75	33



**METERING TRANSFORMER
COMPARTMENT**



SECTION 'A'-'A'



BOTTOM VIEW

REPRESENTED IN
OHIO & PENNSYLVANIA
BY

ROSATI SALES

ERICKSON ELECTRICAL EQUIPMENT CO.
475 BONNIE LANE • ELK GROVE VILLAGE, IL 60007
TELEPHONE: (847) 640-7701 / 1-800-952-7225
FAX: (847) 640-0565

815 E. TALLMADGE AVE • AKRON, OH 44310
TELEPHONE: (330) 630-2677 FAX: (330) 633-3645